

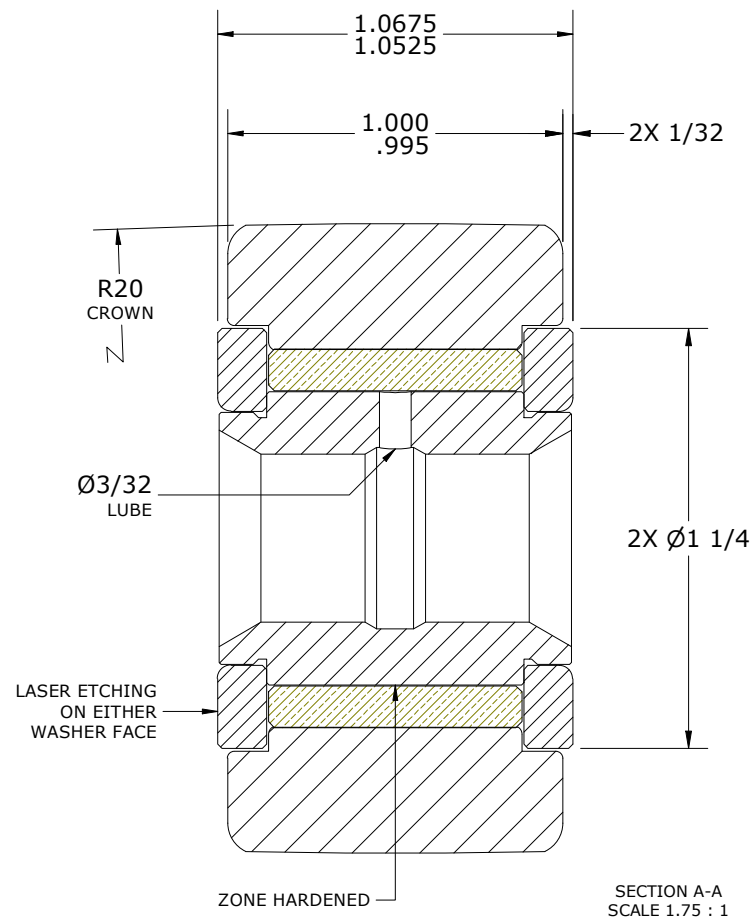
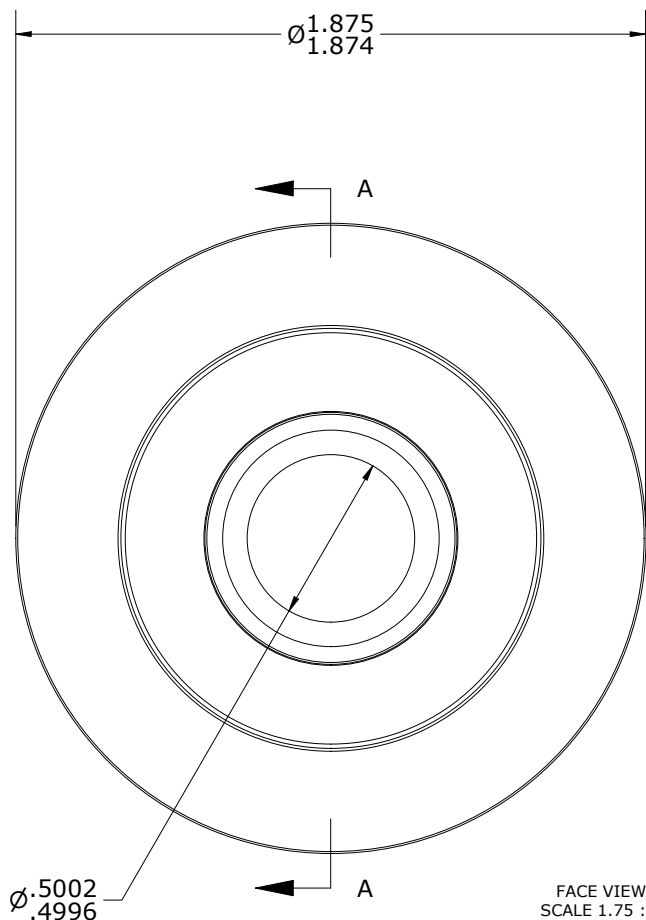
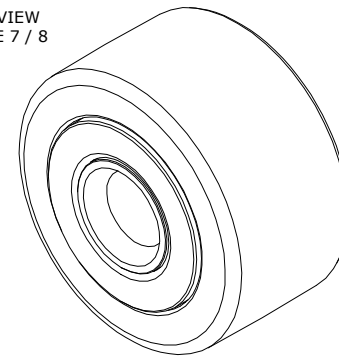
NOTES:

1. BUSHING IS IMPREGNATED WITH OIL
2. ALL EXPOSED SURFACES HAVE BLACK OXIDE
3. CUSTOM LASER ETCHING IS AVAILABLE UPON REQUEST

DRAWING NO.

CNYR-60

ISO VIEW
SCALE 7 / 8



MATERIAL NOTES:

- OUTER RING - BEARING STEEL, HEAT TREATED
- INNER RING - BEARING STEEL, ZONE HARDENED
- WASHER(S) - BEARING STEEL, HEAT TREATED
- BUSHING - SINTERED BRONZE

CUSTOMER PART#

XX = ± .01
XXX = ± .005
XXXX = ± .0005
ANGLES = ± 2'
INCH [METRIC]
FRACTION = ± 1/64

CARTER MANUFACTURING IS NOT RESPONSIBLE FOR TYPOGRAPHICAL ERRORS

CARTER MANUFACTURING CO., INC.

GRAND HAVEN, MICHIGAN 49417

ENGINEERING CHANGE ORDER NOTE

REVISION

PART NAME: ASSEMBLY

PRODUCT TYPE: Neverlube™, Standard YR

A

AUTHOR BY

DRAWN BY

CHK'D BY

SALES

MATERIAL

HG

DJB

MD

NC

NOTED

CARTER STANDARD SURFACE FINISH IS MEASURED IN "Ra" UNITS UNLESS OTHERWISE SPECIFIED.

REVISION BY

DATE

DATE

DATE

DATE

SHEET

DJB

8/15/2025

8/15/2025

8/15/2025

8/15/2025

1 OF 2