

LOAD RATINGS	
RATING	Lbs
RADIAL BASIC DYNAMIC	3,830
STATIC THRUST LOAD	1,000
MAXIMUM STATIC CAPACITY	1,620

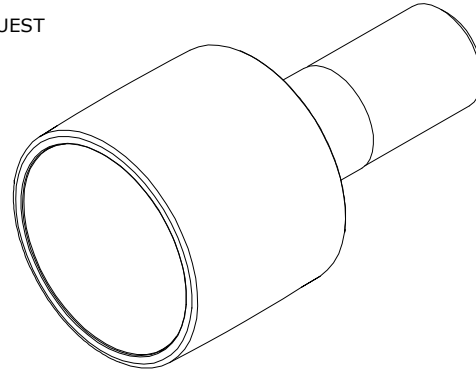
- NOTES:
1. BALL BEARINGS COME PRE-PACKED WITH GREASE
 2. ALL EXPOSED SURFACES HAVE BLACK OXIDE
 3. CUSTOM LASER ETCHING IS AVAILABLE UPON REQUEST

MS NO.

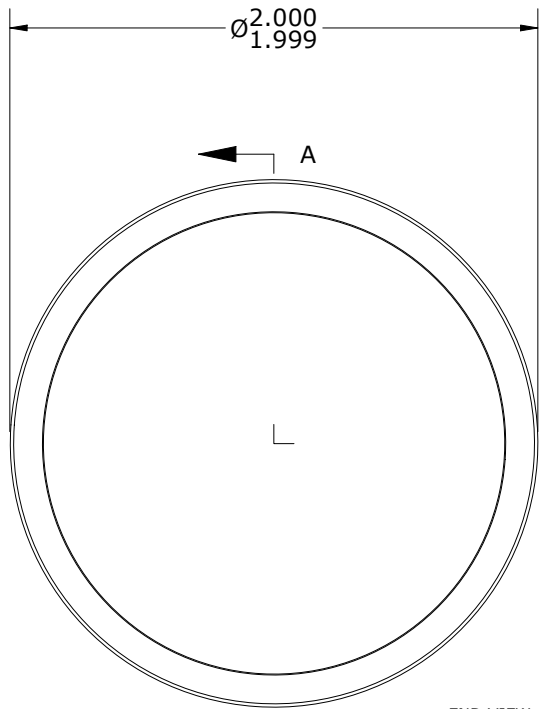
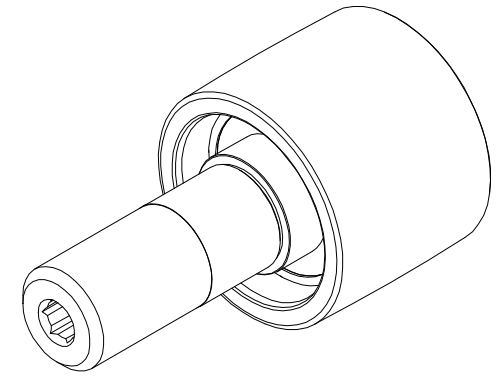
NSN NO.

DRAWING NO.

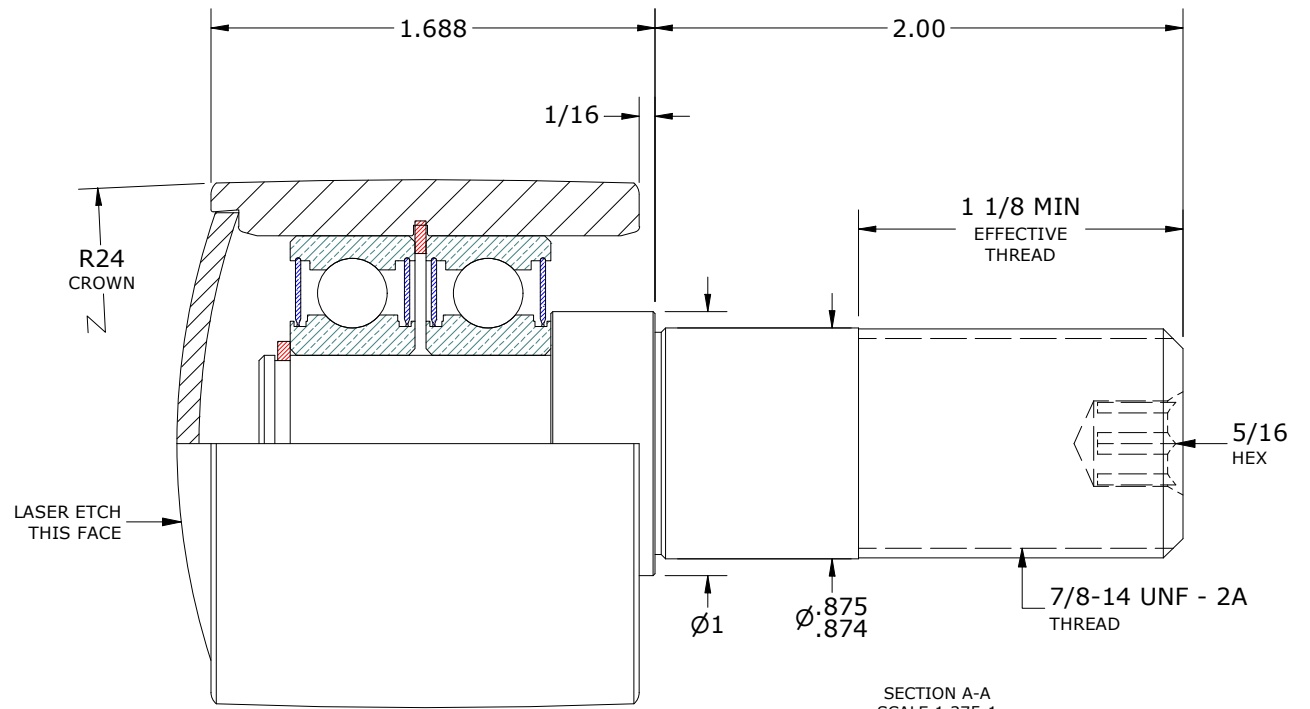
CPHR-200-A



ISO VIEWS
SCALE .688:1



END VIEW
SCALE 1.375:1



SECTION A-A
SCALE 1.375:1

MATERIAL NOTES:

- OUTER - BEARING STEEL, HEAT TREATED
- STUD - COLD ROLLED STEEL
- BEARING ASSM.- 6203.2RS QTY [2]
- SNAP RINGS - SPRING STEEL
- END CAP - COLD ROLLED STEEL

CUSTOMER PART#

XX = ± .01
 XXX = ± .005
 XXXX = ± .0005
 ANGLES = ± 1'
 INCH [METRIC]
 FRACTION = ± 1/32

CARTER MANUFACTURING IS NOT RESPONSIBLE FOR TYPOGRAPHICAL ERRORS

CARTER MANUFACTURING CO., INC.

GRAND HAVEN, MICHIGAN 49417

ENGINEERING CHANGE ORDER NOTE

REVISION

PART NAME: ASSEMBLY

PRODUCT TYPE: PHR

A

AUTHOR BY

DRAWN BY

CHK'D BY

SALES

MATERIAL

HG

SGW

MD

NC

NOTED

REVISION BY

DATE

DATE

DATE

DATE

SHEET

SGW

5/4/2021

5/2/2021

5/3/2021

5/5/2021

1 OF 2