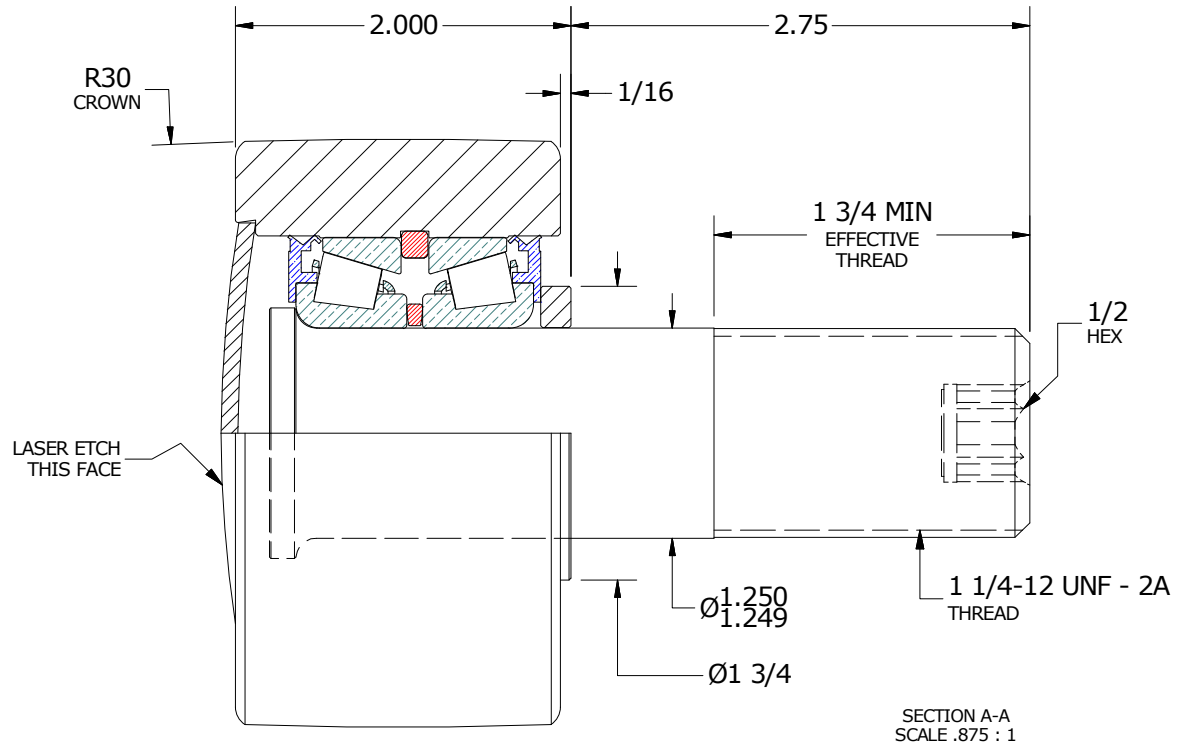
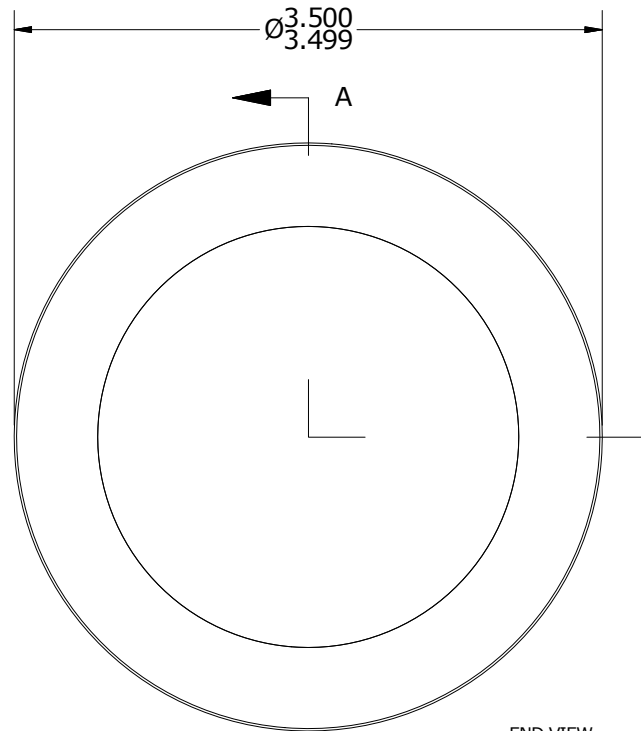
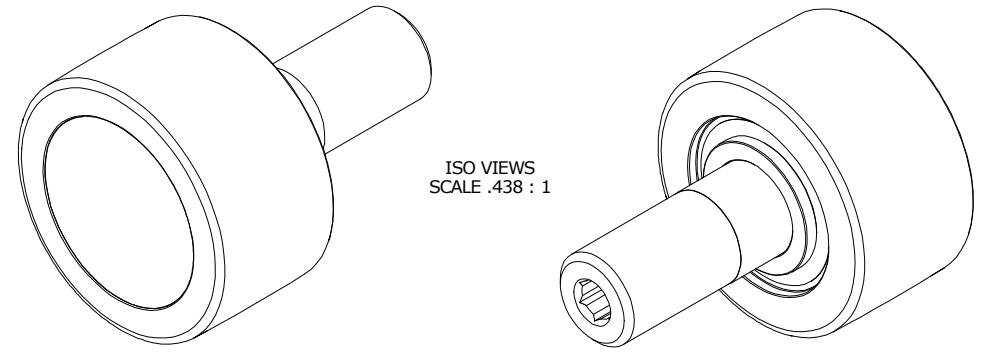


LOAD RATINGS	
RATING	Lbs
RADIAL BASIC DYNAMIC	14,200
DYNAMIC THRUST LOAD	13,000
MAXIMUM STATIC CAPACITY	26,000

NOTES:

1. BEARING IS PACKED WITH NLGI GRADE 2, LITHIUM BASED GREASE (UNLESS OTHERWISE SPECIFIED)
2. ALL EXPOSED SURFACES HAVE BLACK OXIDE
3. CUSTOM LASER ETCHING UPON REQUEST

MS NO.	NSN NO.	DRAWING NO.	CPHR-350-A
--------	---------	-------------	------------



MATERIAL NOTES:

OUTER ROLLER HOUSING - BEARING STEEL, HEAT TREATED  
 STUD - STEEL  
 BEARING ASSY - LM67000LA-902A2  
 WASHER - STEEL  
 END CAP - STEEL

CUSTOMER PART#

XX = ± .01  
 XXX = ± .005  
 XXXX = ± .0005  
 ANGLES = ± 1'  
 INCH [METRIC]  
 FRACTION = ± 1/32

CARTER MANUFACTURING IS NOT RESPONSIBLE FOR TYPOGRAPHICAL ERRORS

**CARTER MANUFACTURING CO., INC.**

GRAND HAVEN, MICHIGAN 49417

ENGINEERING CHANGE ORDER NOTE

REVISION

PART NAME: ASSEMBLY

A

AUTHOR BY  
HG

DRAWN BY  
SGW

CHK'D BY  
MD

SALES  
NC

MATERIAL  
NOTED

REVISION BY  
SGW

DATE  
2/1/2019

DATE  
2/1/2019

DATE  
2/1/2019

DATE  
2/1/2019

SHEET  
1 OF 2