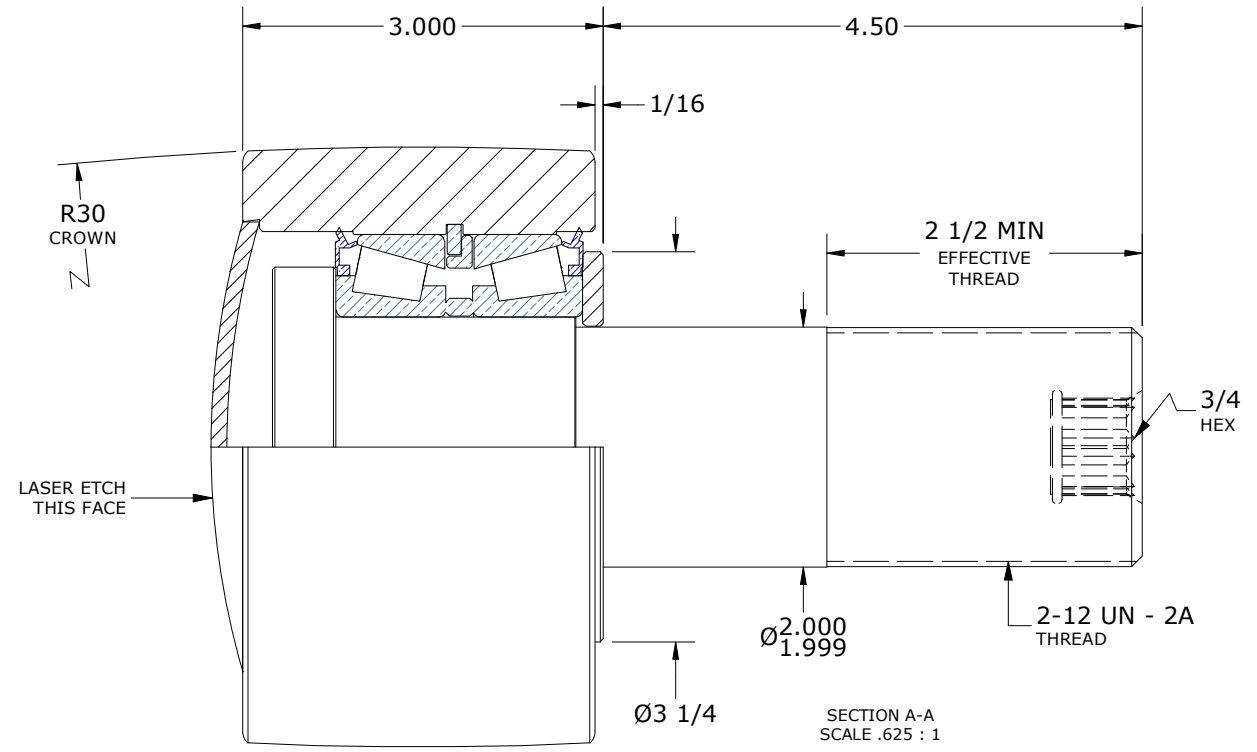
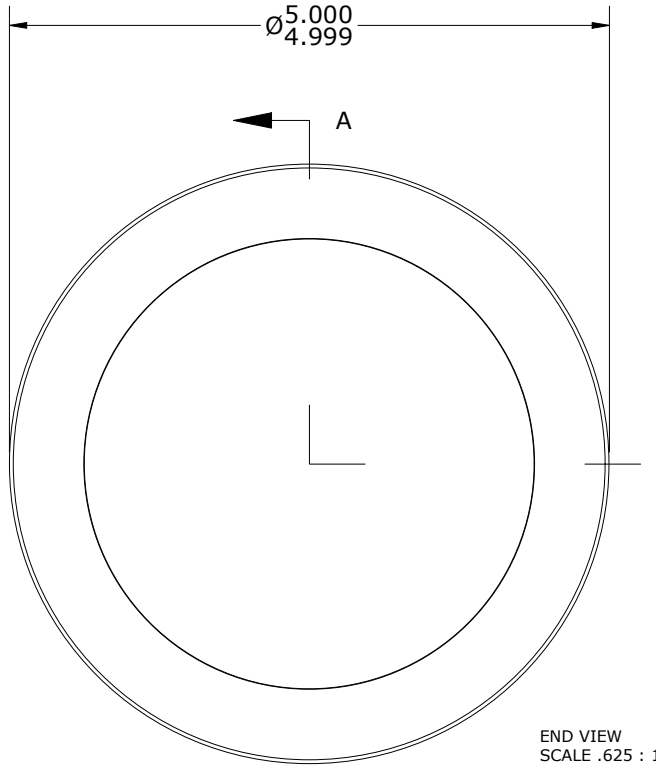
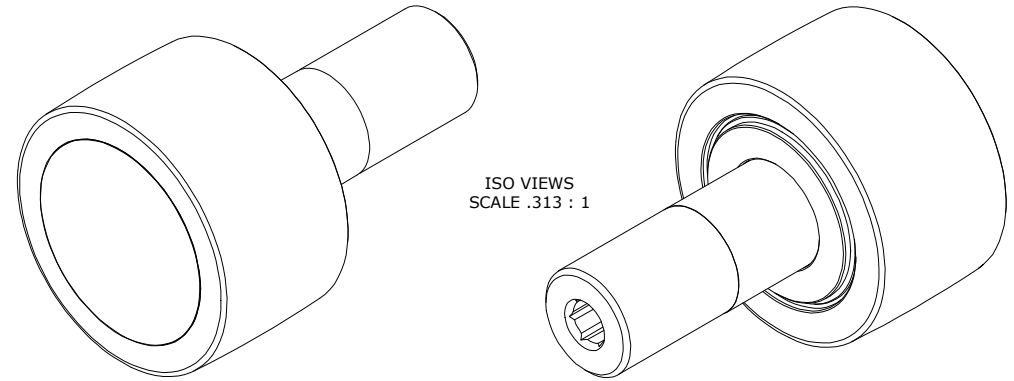


LOAD RATINGS		
RATING	lbf	Newtons
RADIAL BASIC DYNAMIC	33,290	148,081
STATIC THRUST LOAD	32,500	144,567
MAXIMUM STATIC CAPACITY	51,900	230,863

- NOTES:
1. BEARING IS PACKED WITH NLGI GRADE 2, LITHIUM BASED GREASE (UNLESS OTHERWISE SPECIFIED)
 2. ALL EXPOSED SURFACES HAVE BLACK OXIDE
 3. CUSTOM LASER ETCHING IS AVAILABLE UPON REQUEST

MS NO. _____ NSN NO. _____ DRAWING NO. CPHR-500-A



MATERIAL NOTES:
 OUTER ROLLER HOUSING- BEARING STEEL, HEAT TREATED
 STUD - STEEL
 WASHER - STEEL
 END CAP - STEEL
 TAPERED SET - EQUIVALENT TO TIMKEN P/N: JLM506489-90N01

CUSTOMER PART# _____
 XX = ± .01
 XXX = ± .005
 XXXX = ± .0005
 ANGLES = ± 1'
 INCH [METRIC]
 FRACTION = ± 1/32

CARTER MANUFACTURING IS NOT RESPONSIBLE FOR TYPOGRAPHICAL ERRORS

CARTER MANUFACTURING CO., INC.
 GRAND HAVEN, MICHIGAN 49417

ENGINEERING CHANGE ORDER NOTE	
A	
REVISION BY	DATE
SGW	11/15/2019

REVISION				PART NAME: ASSEMBLY		PRODUCT TYPE: CPHR	
AUTHOR BY	DRAWN BY	CHK'D BY	SALES	MATERIAL			
HG	SGW	MD	SC	NOTED			
DATE	DATE	DATE	DATE	SHEET			
11/15/2019	11/11/2019	11/12/2019	11/18/2019	1 OF 2			