

NOTES:

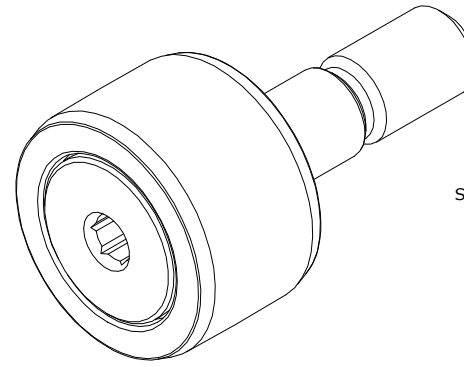
1. BUSHING IS IMPREGNATED WITH CARTER STANDARD NEVERLUBE LUBRICANT.
2. ALL EXPOSED SURFACES HAVE BLACK OXIDE.
3. CUSTOM LASER ETCHING IS AVAILABLE UPON REQUEST.

MS NO.

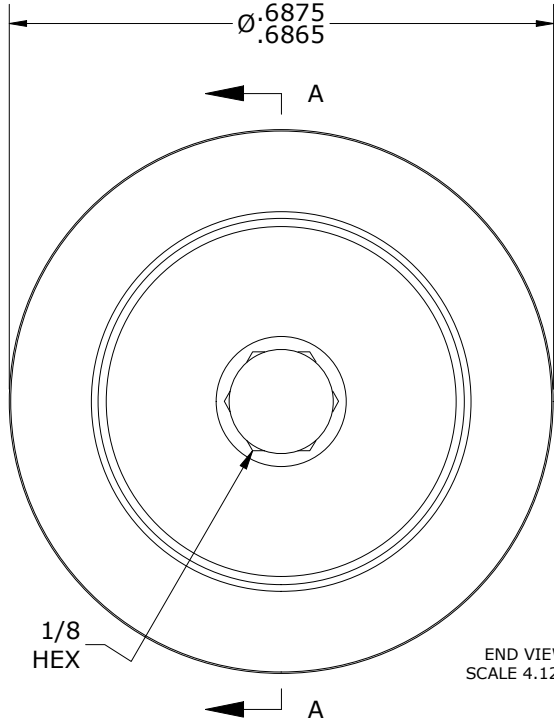
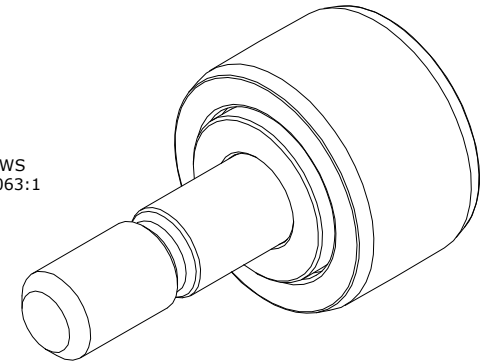
NSN NO.

DRAWING NO.

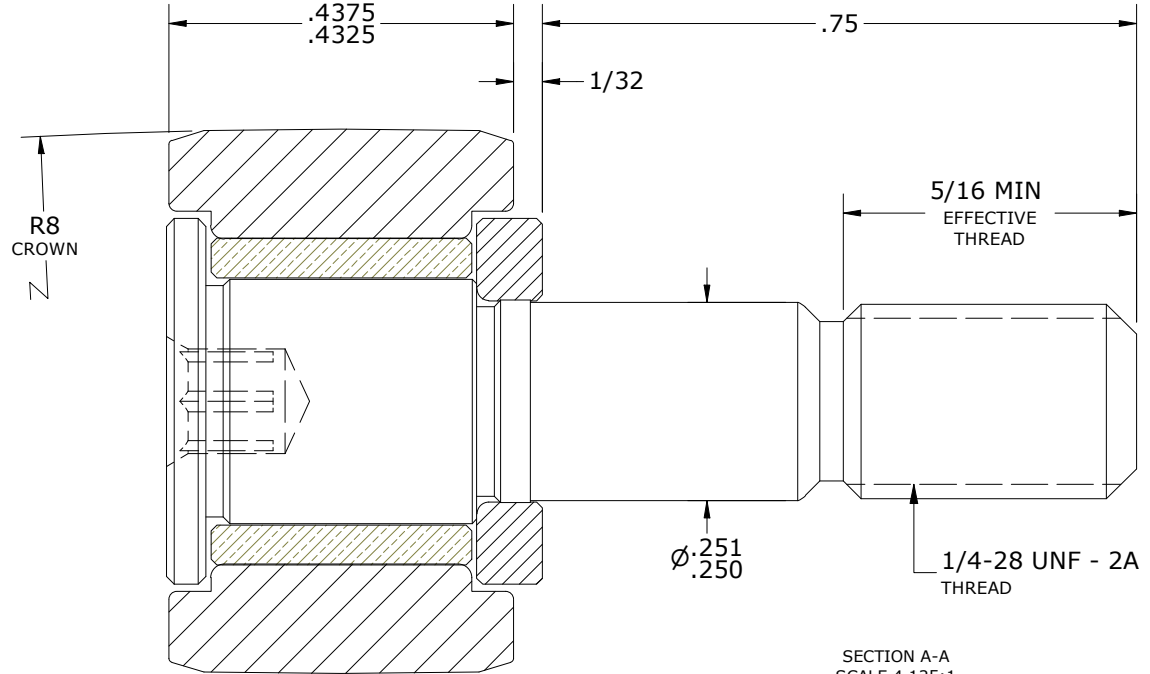
CSFH-22-A



ISO VIEWS
SCALE 2.063:1



END VIEW
SCALE 4.125:1



SECTION A-A
SCALE 4.125:1

MATERIAL NOTES:

- OUTER RING - BEARING STEEL, HEAT TREATED
- STUD - STEEL
- WASHER - BEARING STEEL, HEAT TREATED
- BUSHING - SINTERED BRONZE

CUSTOMER PART#

XX = ± .01
XXX = ± .005
XXXX = ± .0005
ANGLES = ± 1'
INCH [METRIC]
FRACTION = ± 1/32

CARTER MANUFACTURING IS NOT RESPONSIBLE FOR TYPOGRAPHICAL ERRORS

CARTER MANUFACTURING CO., INC.

GRAND HAVEN, MICHIGAN 49417

ENGINEERING CHANGE ORDER NOTE

REVISION

PART NAME: ASSEMBLY

PRODUCT TYPE: CSFH

A

AUTHOR BY

DRAWN BY

CHK'D BY

SALES

MATERIAL

HG

SGW

MD

NC

NOTED

REVISION BY

DATE

DATE

DATE

DATE

SHEET

SGW

5/13/2020

5/13/2020

5/13/2020

5/14/2020

1 OF 2