

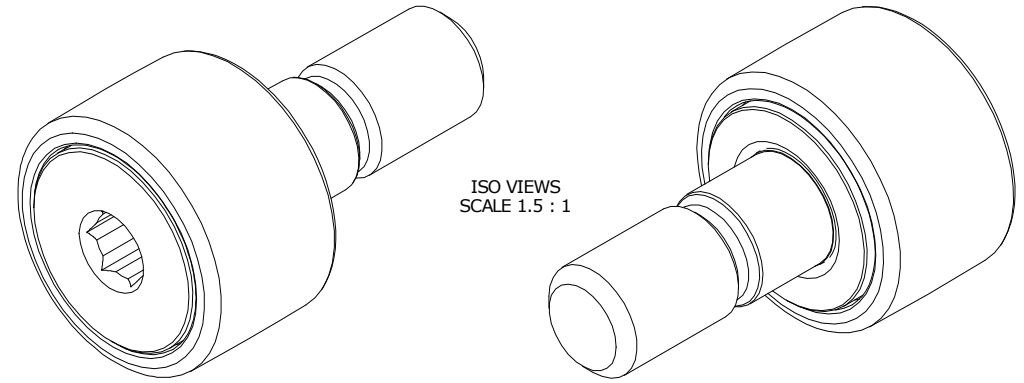
- NOTES:
 1. BUSHING IS IMPREGNATED WITH OIL
 2. ALL EXPOSED STEEL SURFACES HAVE BLACK OXIDE

MS NO.

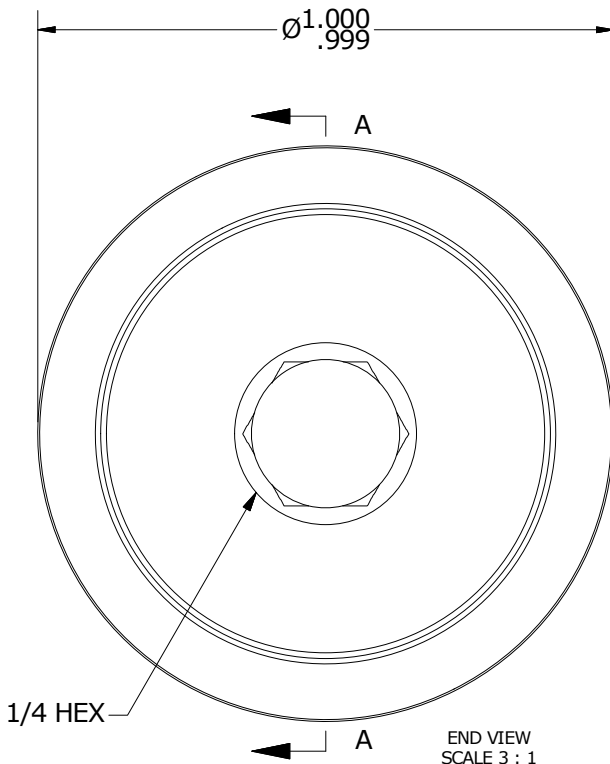
NSN NO.

DRAWING NO.

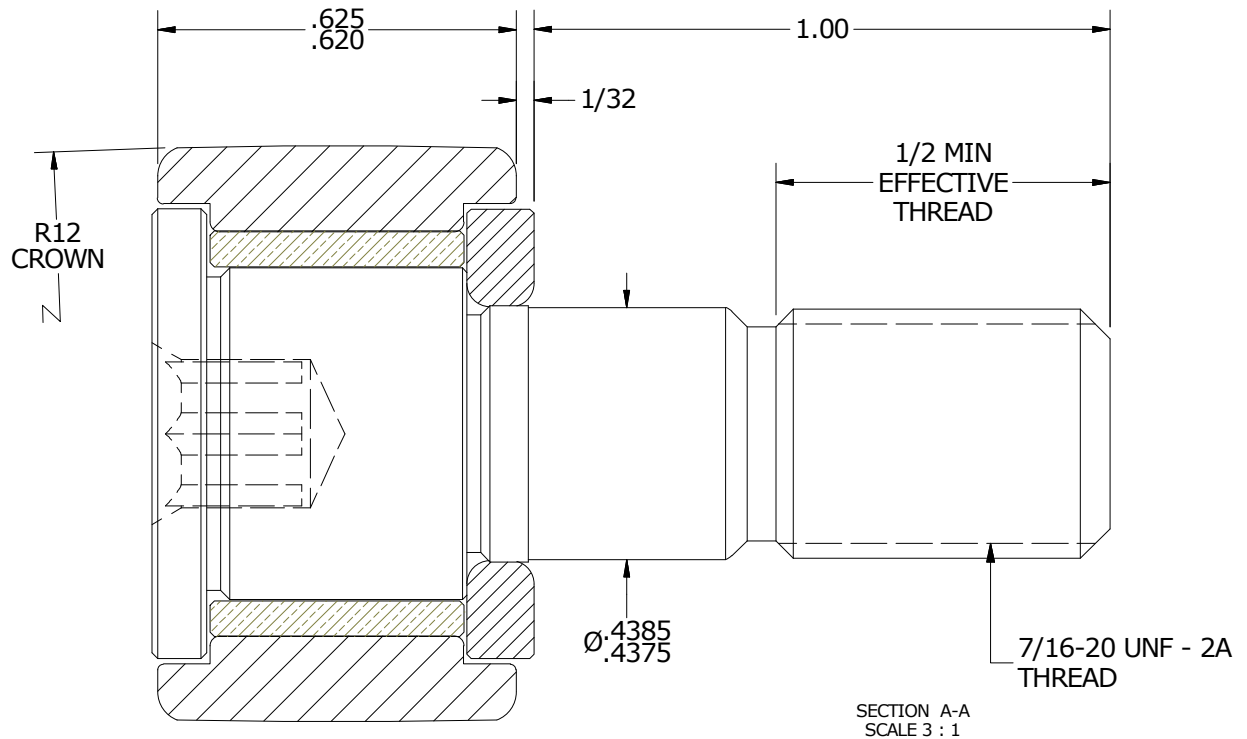
CSFH-32-A



ISO VIEWS
SCALE 1.5 : 1



END VIEW
SCALE 3 : 1



SECTION A-A
SCALE 3 : 1

MATERIAL NOTES:

- OUTER RING - BEARING STEEL, HEAT TREATED
- STUD - COLD ROLLED STEEL
- BUSHING - SINTERED BRONZE
- WASHER - BEARING STEEL, HEAT TREATED

CUSTOMER PART#

XX = ± .01
 XXX = ± .005
 XXXX = ± .0005
 ANGLES = ± 1'
 INCH [METRIC]
 FRACTION = ± 1/32

CARTER MANUFACTURING IS
NOT RESPONSIBLE FOR
TYPOGRAPHICAL ERRORS

CARTER MANUFACTURING CO., INC.

GRAND HAVEN, MICHIGAN 49417

REVISION

PART NAME: ASSEMBLY

ENGINEERING CHANGE ORDER NOTE

B

AUTHOR BY
HG

DRAWN BY
MD

CHK'D BY
MD

SALES
KR

MATERIAL
NOTED

REVISION BY
SGW

DATE
1/2/2017

DATE
10/29/2014

DATE
12/21/2016

DATE
12/21/2016

SHEET
1 OF 2