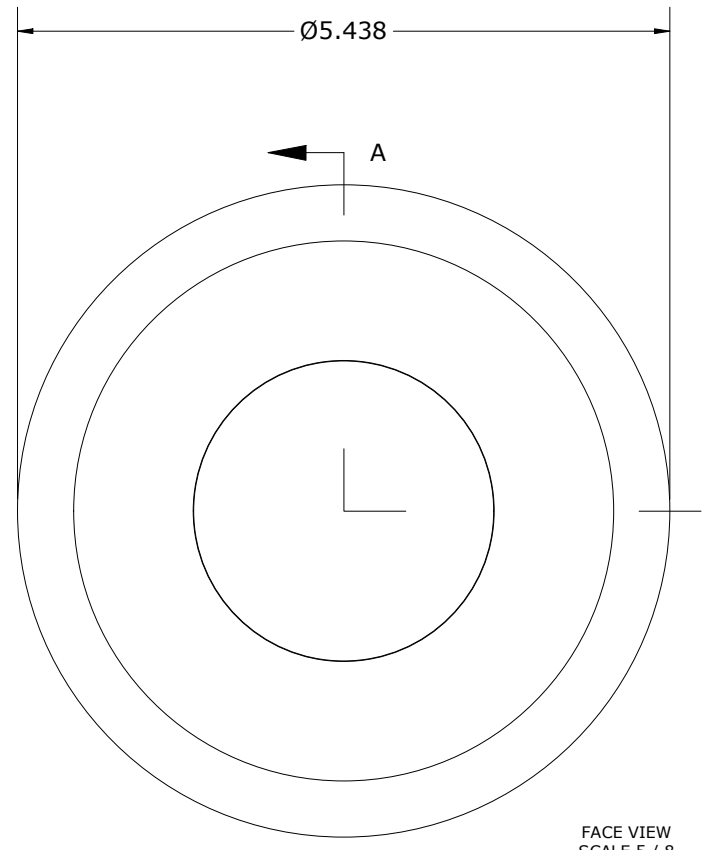
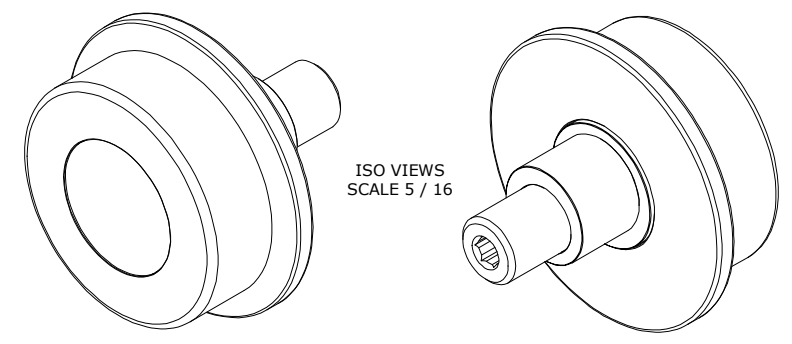
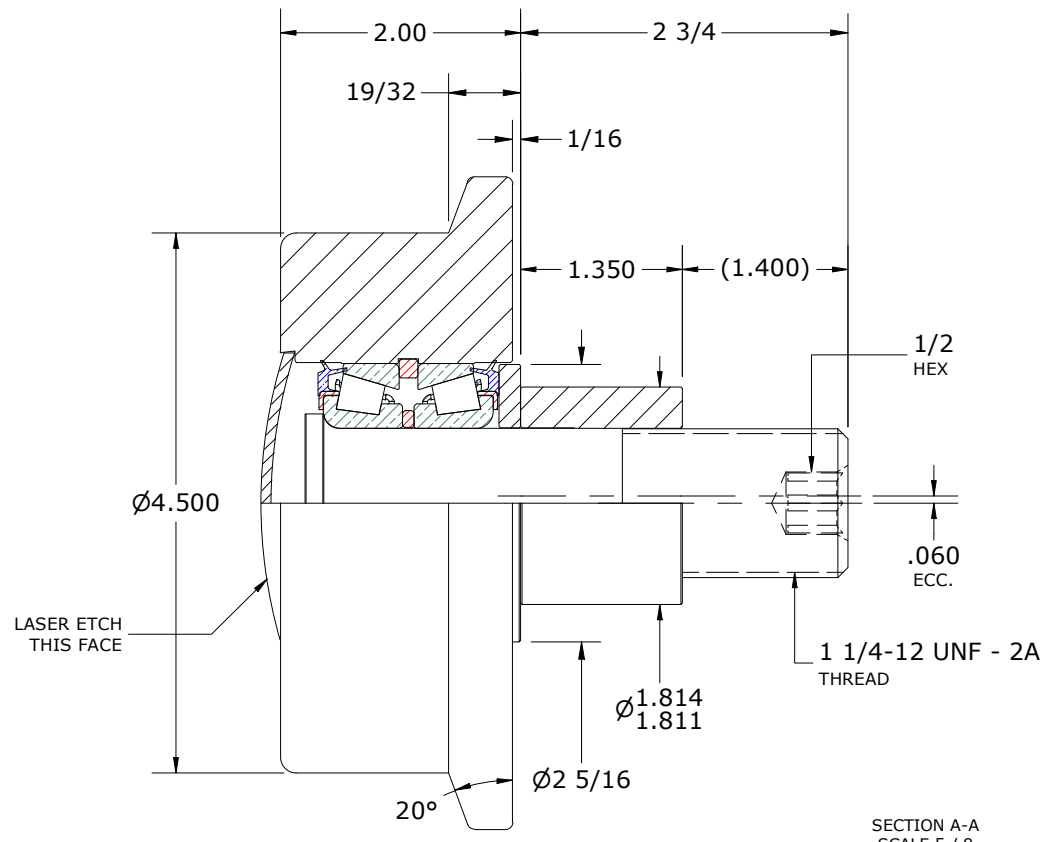


LOAD RATINGS		
RATING	Lbs	Newtons
BASIC DYNAMIC	14,270	63,476
STATIC THRUST LOAD	12,000	53,379
MAXIMUM STATIC CAPACITY	20,000	88,964

- NOTES:
1. BEARING IS PACKED WITH NLGI GRADE 2, LITHIUM BASED GREASE (UNLESS OTHERWISE SPECIFIED)
  2. ALL EXPOSED SURFACES HAVE BLACK OXIDE
  3. CUSTOM LASER ETCHING IS AVAILABLE UPON REQUEST



FACE VIEW  
SCALE 5 / 8



SECTION A-A  
SCALE 5 / 8

MATERIAL NOTES:

- OUTER ROLLER HOUSING - BEARING STEEL, HEAT TREATED
- STUD - STEEL
- TAPERED SET - TIMKEN P/N: LM67000A-90A2A OR EQUIVALENT
- WASHER - STEEL
- END CAP - STEEL
- ECCENTRIC SLEEVE - SLEEVE

CUSTOMER PART#	XX = ± .01 XXX = ± .005 XXXX = ± .0005 ANGLES = ± 2' INCH [METRIC] FRACTION = ± 1/64
<i>ENGINEERING CHANGE ORDER NOTE</i>	
CARTER STANDARD SURFACE FINISH IS MEASURED IN "Ra" UNITS UNLESS OTHERWISE SPECIFIED.	

CARTER MANUFACTURING IS NOT RESPONSIBLE FOR TYPOGRAPHICAL ERRORS	
<i>REVISION</i>	
<b>C</b>	AUTHOR BY HG
REVISION BY DJB	DATE 10/22/2025

<b>CARTER MANUFACTURING CO., INC.</b> GRAND HAVEN, MICHIGAN 49417				PART NAME: ASSEMBLY		PRODUCT TYPE: Hi-Rollers™	
DRAWN BY SGW	CHK'D BY MD	SALES KR	MATERIAL NOTED	DATE 9/28/2015	DATE 10/22/2025	DATE 5/23/2018	SHEET 1 OF 2