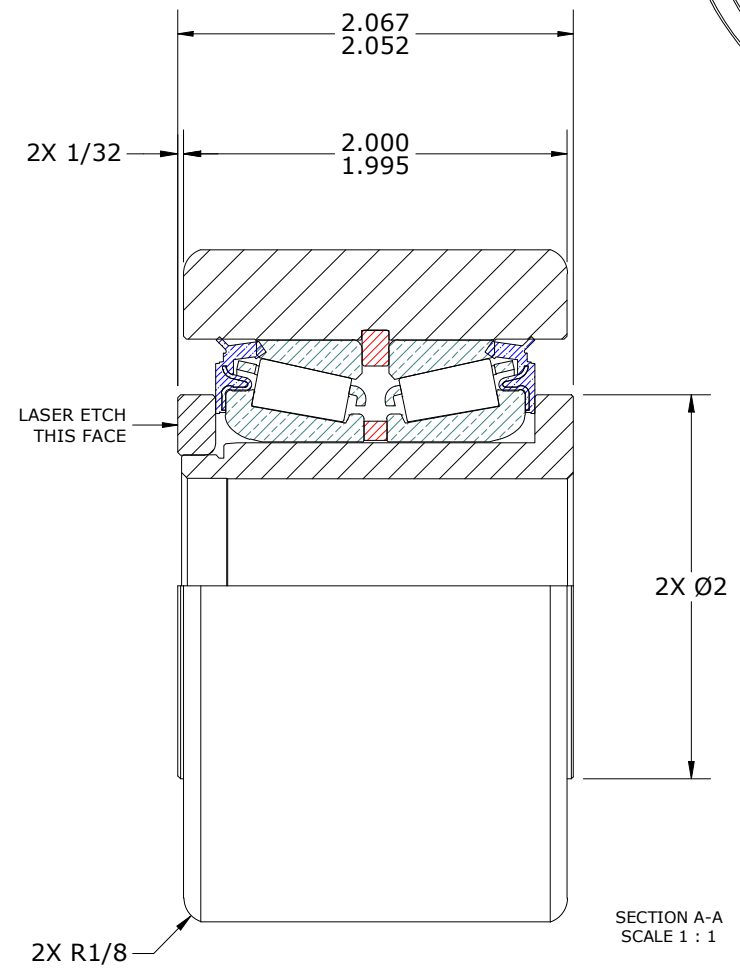
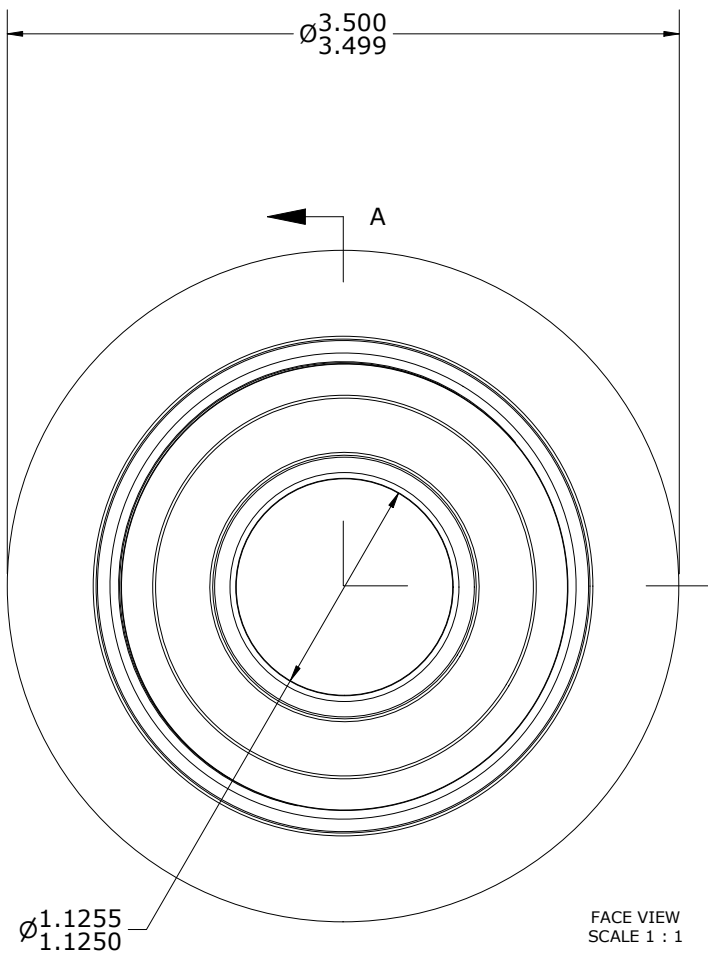
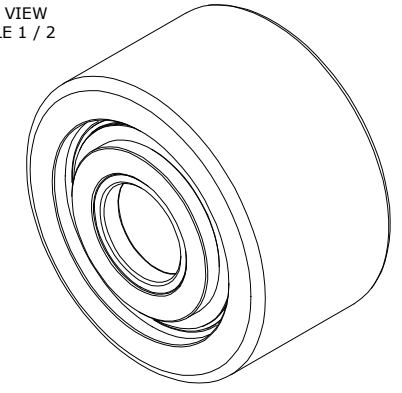


LOAD RATINGS	
RATING	Lbs
RADIAL BASIC DYNAMIC	17,590
STATIC THRUST LOAD	13,100
MAXIMUM STATIC CAPACITY	27,200

- NOTES:
1. BEARING IS PACKED WITH NLGI GRADE 2, LITHIUM BASED GREASE (UNLESS OTHERWISE SPECIFIED)
  2. OUTER ROLLER HOUSING, INNER RING & WASHER: ALL EXPOSED SURFACES HAVE BLACK OXIDE
  3. CUSTOM LASER ETCHING IS AVAILABLE UPON REQUEST

ISO VIEW  
SCALE 1 / 2



MATERIAL NOTES:

OUTER ROLLER HOUSING - BEARING STEEL, HEAT TREATED

INNER RING - STEEL

TAPERED SET - TIMKEN LM29700LA-902A2 OR EQUIVALENT

WASHER - STEEL

CUSTOMER PART#	XX = ± .01 XXX = ± .005 XXXX = ± .0005 ANGLES = ± 2' INCH [METRIC] FRACTION = ± 1/64
<b>ENGINEERING CHANGE ORDER NOTE</b>	
CARTER STANDARD SURFACE FINISH IS MEASURED IN "Ra" UNITS UNLESS OTHERWISE SPECIFIED.	

CARTER MANUFACTURING IS NOT RESPONSIBLE FOR TYPOGRAPHICAL ERRORS		<b>CARTER MANUFACTURING CO., INC.</b> GRAND HAVEN, MICHIGAN 49417			
<b>REVISION</b>		PART NAME: ASSEMBLY			PRODUCT TYPE: Hi-Rollers™
<b>B</b>	AUTHOR BY HG	DRAWN BY SGW	CHK'D BY MD	SALES KR	MATERIAL NOTED
REVISION BY DJB	DATE 1/8/2025	DATE 3/13/2018	DATE 1/8/2025	DATE 3/16/2018	SHEET 1 OF 2