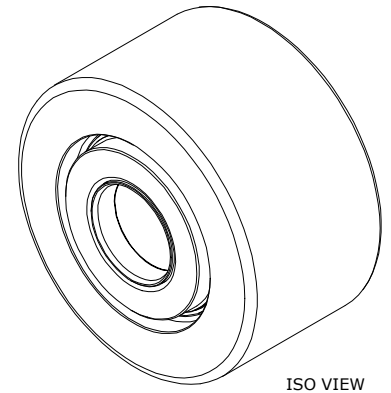
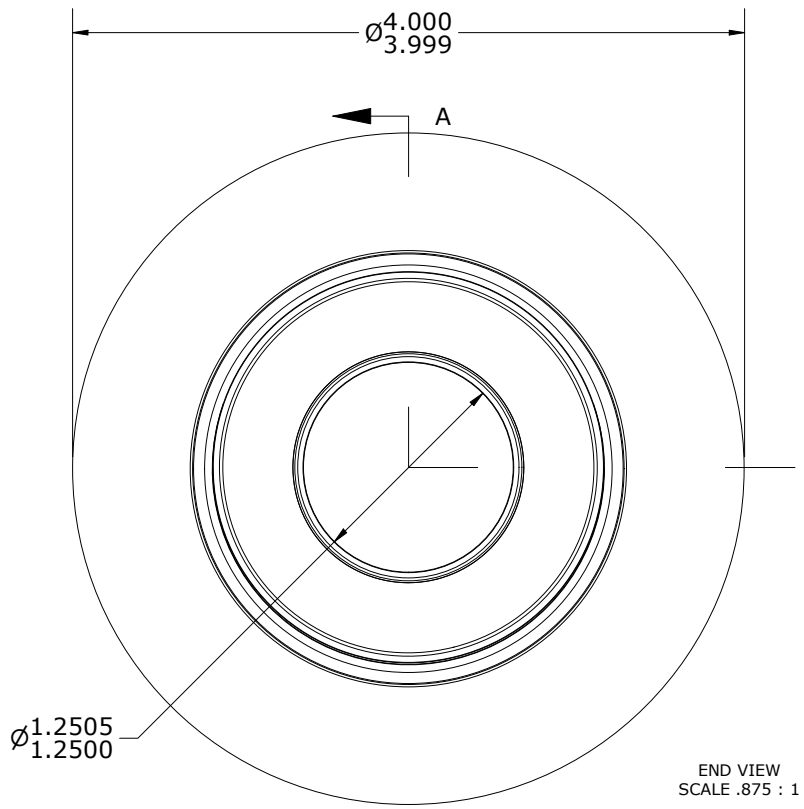


LOAD RATINGS	
RATING	Lbs
RADIAL BASIC DYNAMIC	17,590
STATIC THRUST LOAD	12,100
MAXIMUM STATIC CAPACITY	27,200

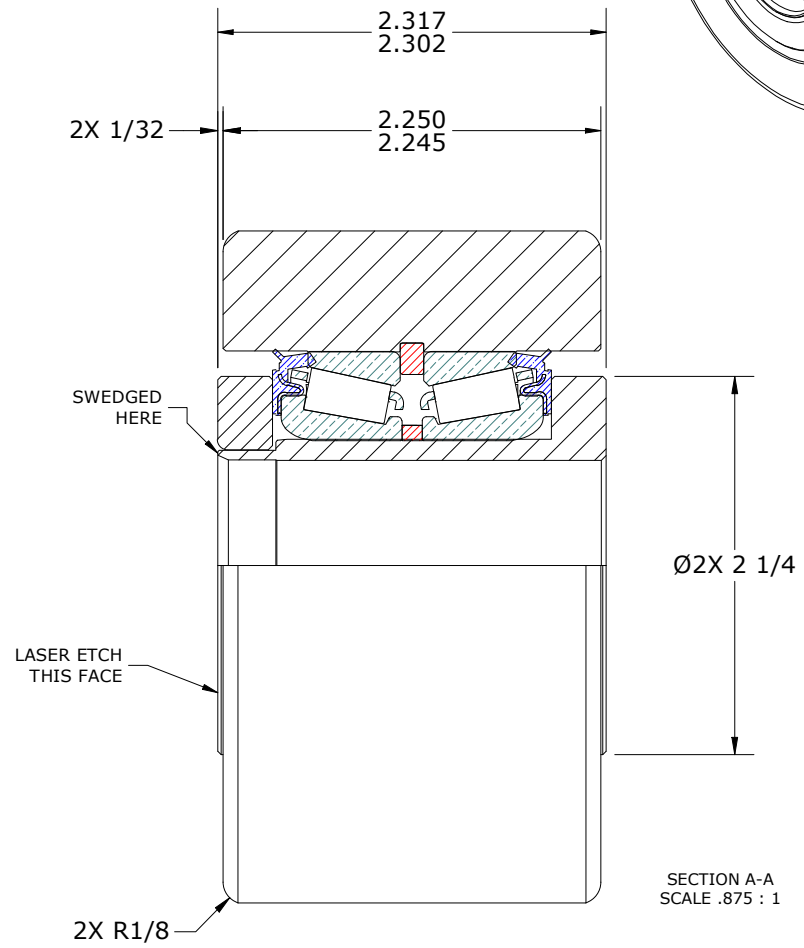
- NOTES:
1. BEARING IS PACKED WITH NLGI GRADE 2, LITHIUM BASED GREASE (UNLESS OTHERWISE SPECIFIED)
 2. ALL EXPOSED STEEL SURFACES HAVE BLACK OXIDE
 3. CUSTOM LASER ETCHING AVAILABLE UPON REQUEST



ISO VIEW
SCALE .4375 : 1



END VIEW
SCALE .875 : 1



SECTION A-A
SCALE .875 : 1

MATERIAL NOTES: OUTER ROLLER HOUSING- BEARING STEEL, HEAT TREATED
 STUD - STEEL
 TAPERED SET - EQUIVALENT TO TIMKEN NO. LM29700LA-902A2
 WASHER - STEEL

CUSTOMER PART#	XX = ± .01 XXX = ± .005 XXXX = ± .0005 ANGLES = ± 2' INCH [METRIC] FRACTION = ± 1/64
ENGINEERING CHANGE ORDER NOTE	

CARTER MANUFACTURING IS NOT RESPONSIBLE FOR TYPOGRAPHICAL ERRORS

CARTER MANUFACTURING CO., INC.
 GRAND HAVEN, MICHIGAN 49417

REVISION		PART NAME: ASSEMBLY			PRODUCT TYPE: Hi-Rollers™	
A	AUTHOR BY HG	DRAWN BY SGW	CHK'D BY MD	SALES KR	MATERIAL NOTED	
REVISION BY	DATE	DATE	DATE	DATE	SHEET	
SGW	3/22/2018	3/21/2018	3/22/2018	4/2/2018	1 OF 2	