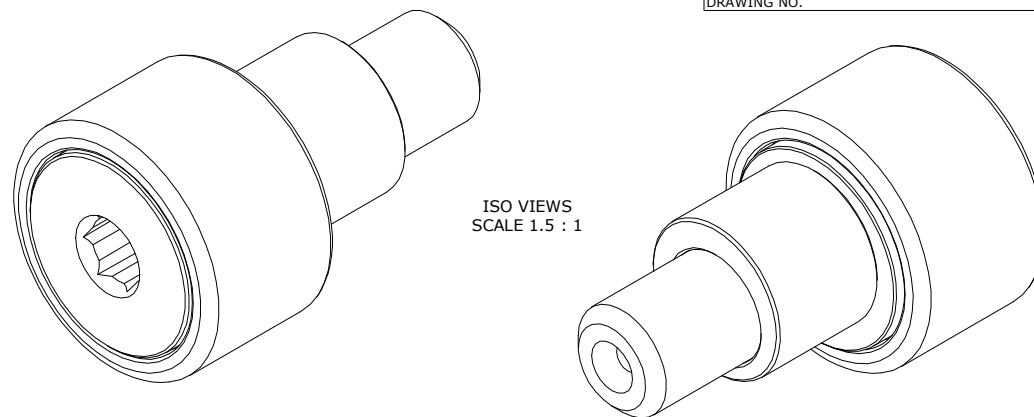
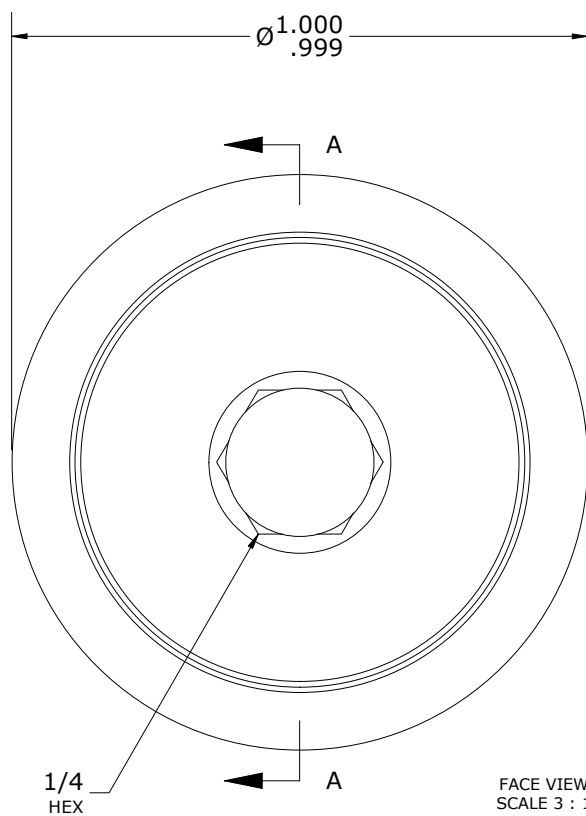


NOTES:

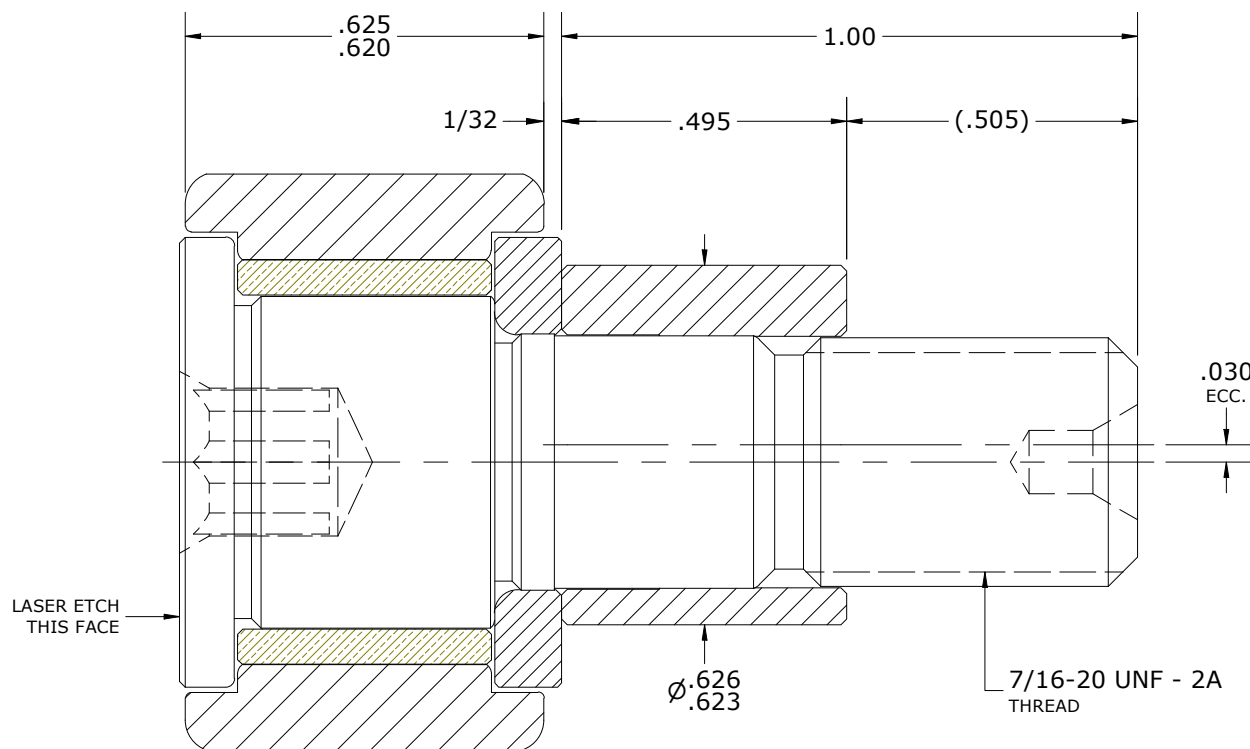
1. BUSHING IS IMPREGNATED WITH OIL
2. ALL EXPOSED SURFACES HAVE BLACK OXIDE
3. CUSTOM LASER ETCHING IS AVAILABLE UPON REQUEST



ISO VIEWS
SCALE 1.5 : 1



FACE VIEW
SCALE 3 : 1



SECTION A-A
SCALE 3 : 1

MATERIAL NOTES:

- OUTER RING - BEARING STEEL, HEAT TREATED
- STUD - STEEL
- BUSHING - SINTERED BRONZE
- WASHER - BEARING STEEL, HEAT TREATED
- ECCENTRIC SLEEVE - STEEL

CUSTOMER PART#

XX = ± .01
 XXX = ± .005
 XXXX = ± .0005
 ANGLES = ± 2'
 INCH [METRIC]
 FRACTION = ± 1/64

CARTER MANUFACTURING IS NOT RESPONSIBLE FOR TYPOGRAPHICAL ERRORS

CARTER MANUFACTURING CO., INC.

GRAND HAVEN, MICHIGAN 49417

ENGINEERING CHANGE ORDER NOTE

REVISION

PART NAME: ASSEMBLY

PRODUCT TYPE: Neverlube™, Standard CF

B

AUTHOR BY
HG

DRAWN BY
SGW

CHK'D BY
MD

SALES
KR

MATERIAL
NOTED

CARTER STANDARD SURFACE FINISH IS MEASURED IN "Ra" UNITS UNLESS OTHERWISE SPECIFIED.

REVISION BY
DJB

DATE
3/17/2026

DATE
12/13/2016

DATE
3/17/2026

DATE
12/21/2016

SHEET
1 OF 2