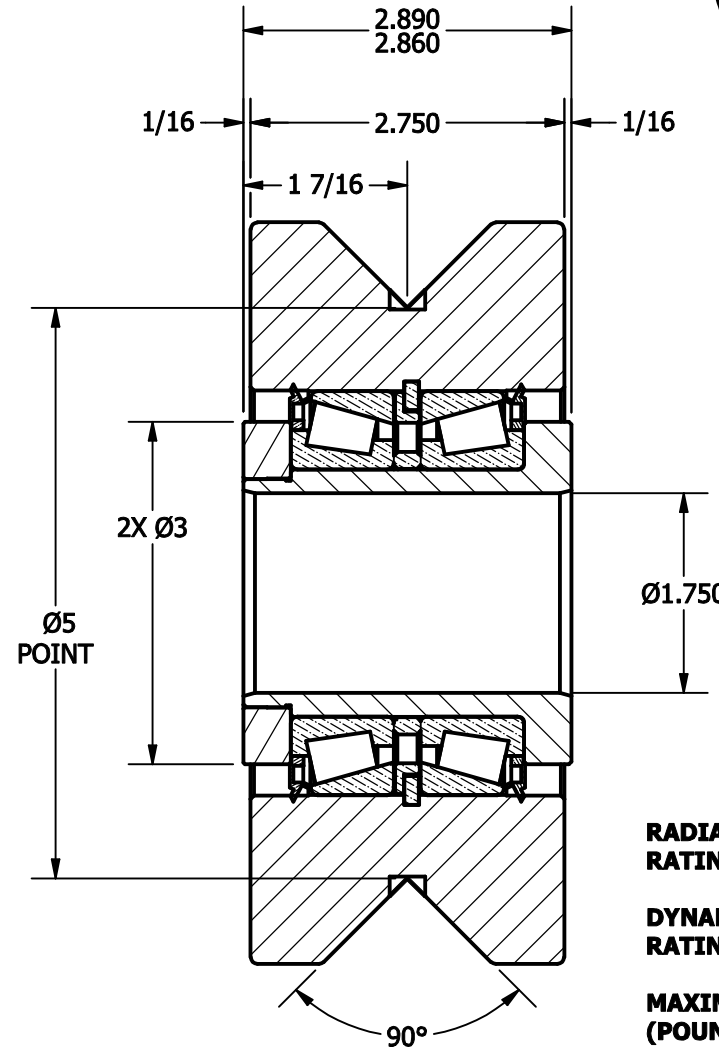
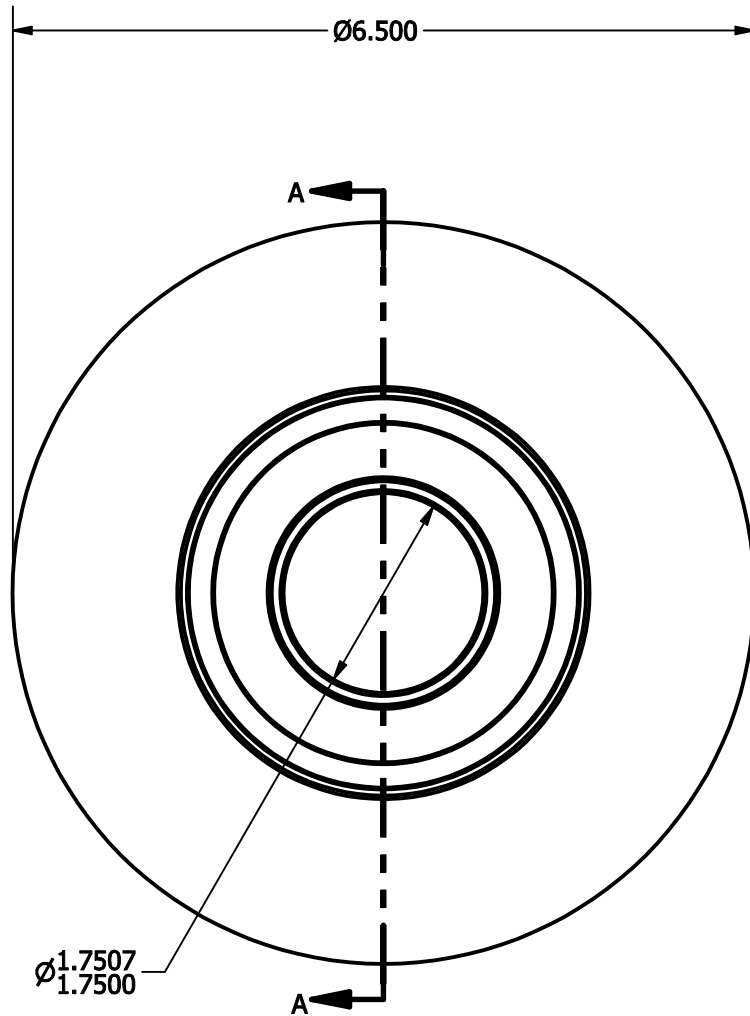
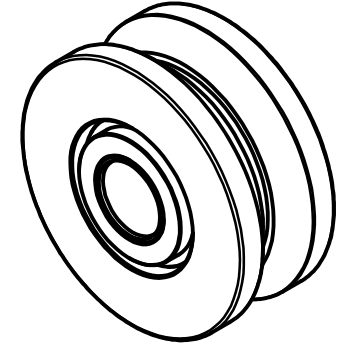


NOTES:
1. BEARING COMES PACKED WITH GREASE



RADIAL BASIC DYNAMIC RATING (POUNDS) 35,800

DYNAMIC THRUST LOAD RATING (POUNDS) 13,300

MAXIMUM STATIC CAPACITY (POUNDS) 56,200

MATERIAL NOTES:
OUTER - BEARING STEEL, HEAT TREATED
STUD - COLD ROLLED STEEL
WASHER - COLD ROLLED STEEL
BEARING ASSY. - JLM506849
SEAL - SYNTHETIC

CUSTOMER PART #

.XX = ± .01
 .XXX = ± .005
 .XXXX = ± .0005
 ANGLES = ± 1'
 INCH [METRIC]

CARTER MANUFACTURING IS NOT RESPONSIBLE FOR TYPOGRAPHICAL ERRORS

CARTER MANUFACTURING CO., INC.

GRAND HAVEN, MICHIGAN 49417

REVISION

PART NAME: ASSEMBLY

SHEET 1 OF 2

CHANGE NOTE:

A

AUTHOR. BY

DRAWN BY

CHK'D BY

SALES

MATERIAL

REV. BY

DATE

DATE

DATE

DATE

DRAWING NO.

SGW

4/11/2008

VHRY-650-A