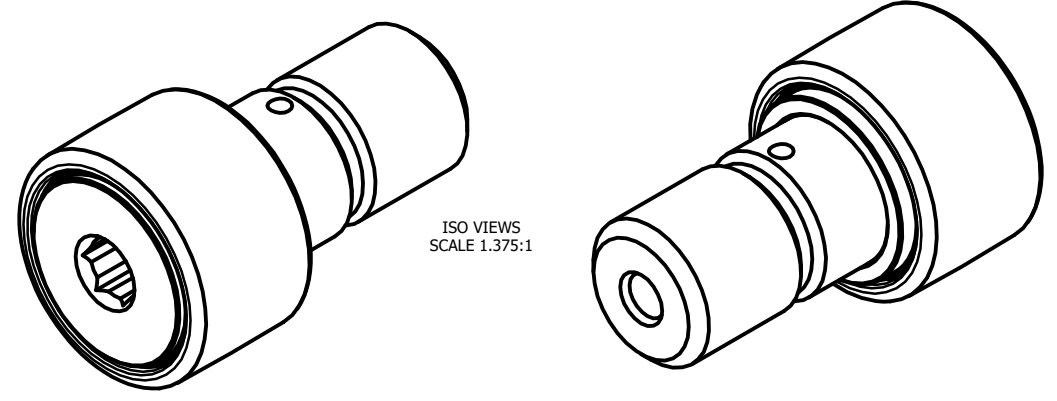
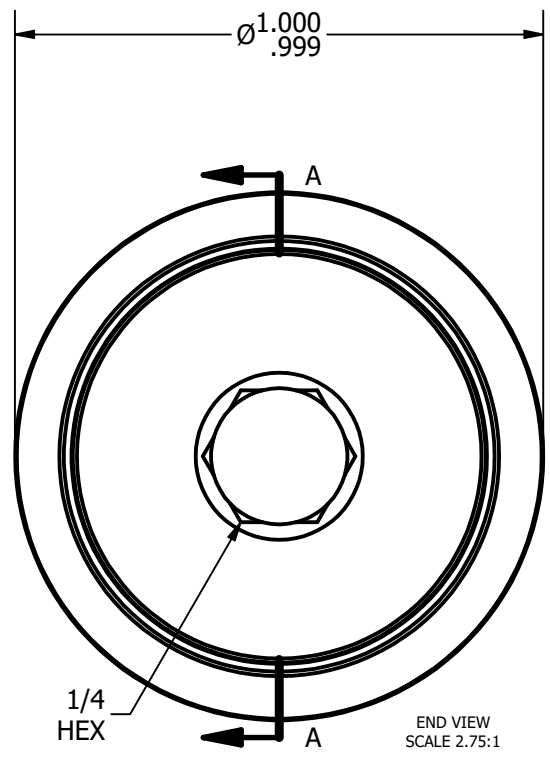


LOAD RATINGS	
RATING	Lbs
RADIAL BASIC DYNAMIC	1,780
MAXIMUM STATIC CAPACITY	4,284

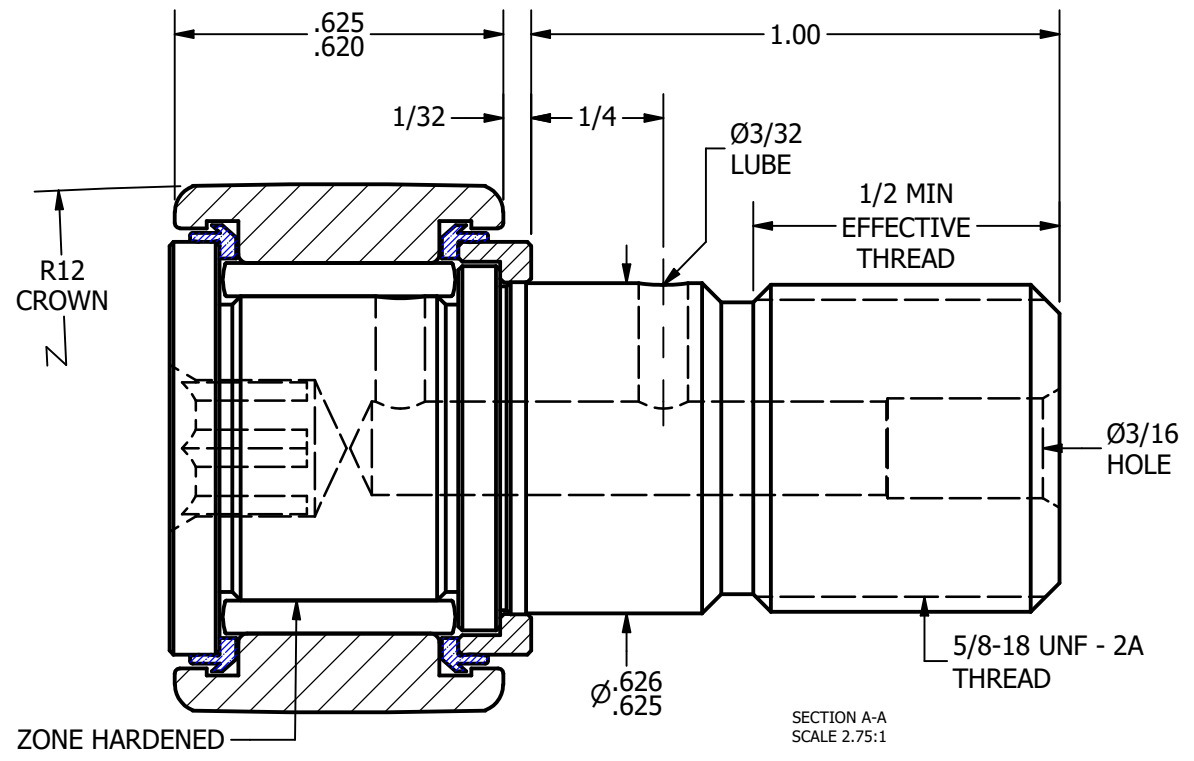
NOTES:
 1. BEARING COMES PACKED WITH CARTER STANDARD H1 FOOD GRADE GREASE



ISO VIEWS
 SCALE 1.375:1



END VIEW
 SCALE 2.75:1



SECTION A-A
 SCALE 2.75:1

MATERIAL NOTES:
 OUTER RACE - 440C STAINLESS STEEL, HEAT TREATED
 STUD - 440C STAINLESS STEEL, ZONE HARDENED
 WASHER - 440C STAINLESS STEEL, HEAT TREATED
 NEEDLE ROLLER - 440C STAINLESS STEEL, HEAT TREATED
 SEAL - SYNTHETIC

CUSTOMER PART#	.XX = ± .01 .XXX = ± .005 .XXXX = ± .0005 ANGLES = ± 1' INCH [METRIC] FRACTION = ± 1/32
CHANGE NOTE:	

CARTER MANUFACTURING IS NOT RESPONSIBLE FOR TYPOGRAPHICAL ERRORS	
REVISION	
B	AUTHOR. BY
DB	ED
REV. BY	DATE
SGW	7/8/2013

CARTER MANUFACTURING CO., INC.				
GRAND HAVEN, MICHIGAN 49417				
PART NAME: ASSEMBLY			SHEET 1 OF 2	
SALES	MATERIAL	CHK'D BY	DRAWN BY	AUTHOR. BY
KR	NOTED	MD	ED	DB
DATE	DRAWING NO.	DATE	DATE	DATE
7/11/2013	CSCH-32-SB	7/8/2013	7/25/2006	7/8/2013